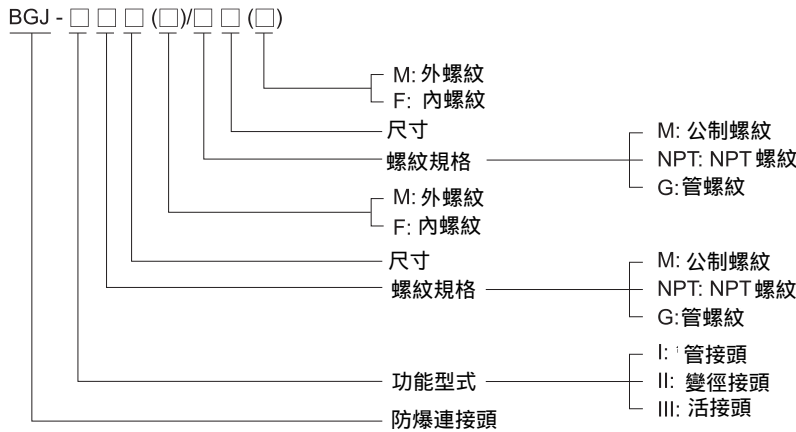




- ◆ 防爆性能符合
  - CENELEC標準
  - IEC標準
- ◆ 適用於
  - 1區和2區
  - 21區和22區
- ◆ 有黃銅鍍鎳、不鏽鋼、碳素鋼表面鍍鋅處理等三種材質

#### 型號涵義



#### 技術參數

##### 防爆連接頭

BGJ-□□□(□)/□□□(□)

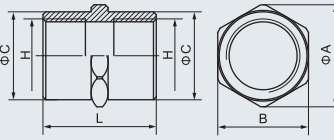
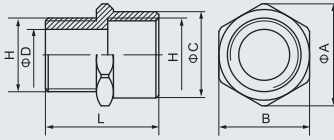
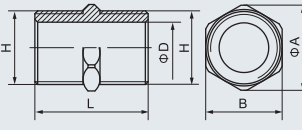
|  |   |
|--|---|
| 防爆型式<br>氣體防爆型式<br>粉塵防爆型式<br>證書<br>執行標準<br>產品材質<br>防護等級<br>周圍環境溫度<br>結構形式<br>功能型式 | Ⅱ 2 G Ex d IIC Gb      Ⅱ 2 G Ex e IIC Gb<br>Ⅱ 2 D Ex tb IIIC Db IP66<br>LCIE 06 ATEX 6018; IECEx LCI 08.0005; RU C-CN.ГБ08.B.00927 (CU-TR)<br>KZ.7500525.22.01.00375 (CU-TR)<br>EN 60079-0, EN 60079-1, EN 60079-7, EN 60079-31<br>IEC 60079-0, IEC 60079-1, IEC 60079-7, IEC 60079-31<br>黃銅鍍鎳、不鏽鋼、碳素鋼表面鍍鋅處理等三種<br>IP66<br>-60℃~+100℃<br>F/F, M/F 或 M/M<br>管接頭、變徑接頭、活接頭 |
|--|---|

## 1區&2區、21區&22區

# 安裝用相關防爆附件

## BGJ系列防爆連接頭

選配表

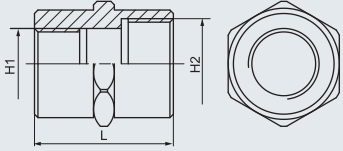
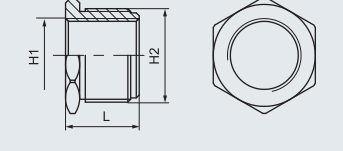
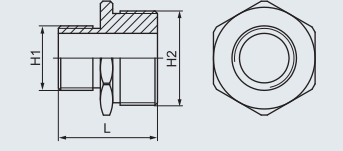
| 型號  | 螺紋"H" |        |        | 尺寸(mm) |     |     |     |    | 訂貨代號   | 重量(kg) |
|---|-------|--------|--------|--------|-----|-----|-----|----|--------|--------|
|   | 公制    | NPT    | G      | A      | B   | C   | D   | L  |        |        |
| <br>BGJ-I□□(F)/□□(F)   | M20   | 1/2"   | 1/2"   | 30     | 27  | 25  |     | 34 | 703001 | 0.10   |
|   | M25   | 3/4"   | 3/4"   | 36     | 32  | 31  |     | 34 | 703002 | 0.10   |
|   | M32   | 1"     | 1"     | 42     | 38  | 37  |     | 40 | 703003 | 0.15   |
|   | M40   | 1 1/4" | 1 1/4" | 52     | 47  | 46  |     | 40 | 703004 | 0.25   |
|   | M50   | 1 1/2" | 1 1/2" | 60     | 55  | 54  |     | 40 | 703005 | 0.25   |
|   | M63   | 2"     | 2"     | 72     | 68  | 65  |     | 42 | 703006 | 0.35   |
|   | M75   | 2 1/2" | 2 1/2" | 88     | 83  | 82  |     | 42 | 703007 | 0.50   |
|   | M90   | 3"     | 3"     | 100    | 95  | 94  |     | 42 | 703008 | 0.65   |
|   | M115  | 4"     | 4"     | 127    | 122 | 121 |     | 42 | 703009 | 1.00   |
| <br>BGJ-I□□(M)/□□(F) | M20   | 1/2"   | 1/2"   | 30     | 27  | 25  | 13  | 36 | 703010 | 0.10   |
|   | M25   | 3/4"   | 3/4"   | 36     | 32  | 31  | 18  | 36 | 703011 | 0.10   |
|   | M32   | 1"     | 1"     | 42     | 38  | 37  | 25  | 42 | 703012 | 0.15   |
|   | M40   | 1 1/4" | 1 1/4" | 52     | 47  | 46  | 32  | 42 | 703013 | 0.20   |
|   | M50   | 1 1/2" | 1 1/2" | 60     | 55  | 54  | 38  | 42 | 703014 | 0.25   |
|   | M63   | 2"     | 2"     | 72     | 68  | 65  | 50  | 44 | 703015 | 0.35   |
|   | M75   | 2 1/2" | 2 1/2" | 88     | 83  | 82  | 65  | 44 | 703016 | 0.50   |
|   | M90   | 3"     | 3"     | 100    | 95  | 94  | 75  | 44 | 703017 | 0.65   |
|   | M115  | 4"     | 4"     | 127    | 122 | 121 | 100 | 44 | 703018 | 1.00   |
| <br>BGJ-I□□(M)/□□(M) | M20   | 1/2"   | 1/2"   | 30     | 27  |     | 13  | 36 | 703019 | 0.05   |
|   | M25   | 3/4"   | 3/4"   | 36     | 32  |     | 18  | 36 | 703020 | 0.10   |
|   | M32   | 1"     | 1"     | 42     | 38  |     | 24  | 42 | 703021 | 0.15   |
|   | M40   | 1 1/4" | 1 1/4" | 52     | 47  |     | 32  | 42 | 703022 | 0.25   |
|   | M50   | 1 1/2" | 1 1/2" | 60     | 55  |     | 38  | 42 | 703023 | 0.25   |
|   | M63   | 2"     | 2"     | 72     | 68  |     | 50  | 42 | 703024 | 0.35   |
|   | M75   | 2 1/2" | 2 1/2" | 88     | 83  |     | 65  | 42 | 703025 | 0.50   |
|   | M90   | 3"     | 3"     | 100    | 95  |     | 75  | 44 | 703026 | 0.65   |
|   | M115  | 4"     | 4"     | 127    | 122 |     | 100 | 44 | 703027 | 1.00   |

## 附註：

1. 常規供貨為碳素鋼材質，如需要不鏽鋼，黃銅鍍鎳材質，訂貨時請註明。以上重量是碳素鋼材質。
2. 公制螺紋產品標準螺距為1.5mm，其它螺距可以定制，訂貨時請註明。



選配表

| 型號   | 螺紋"H" |        |        | 標準入口螺紋"H2" |        |        | 尺寸<br>(mm) | 訂貨代號   | 重量<br>(kg) |
|--|-------|--------|--------|------------|--------|--------|------------|--------|------------|
|  | 公制    | NPT    | G      | Metric     |        |        |            |        |            |
| <br>BGJ-II□□(F)/□□(F)   | M20   | 1/2"   | 1/2"   | M25        | 3/4"   | 3/4"   | 34         | 703028 | 0.10       |
|  | M25   | 3/4"   | 3/4"   | M32        | 1"     | 1"     | 34         | 703029 | 0.15       |
|  | M32   | 1"     | 1"     | M40        | 1 1/4" | 1 1/4" | 40         | 703030 | 0.25       |
|  | M40   | 1 1/4" | 1 1/4" | M50        | 1 1/2" | 1 1/2" | 40         | 703031 | 0.30       |
|  | M50   | 1 1/2" | 1 1/2" | M63        | 2"     | 2"     | 40         | 703032 | 0.35       |
|  | M63   | 2"     | 2"     | M75        | 2 1/2" | 2 1/2" | 42         | 703033 | 0.50       |
|  | M75   | 2 1/2" | 2 1/2" | M90        | 3"     | 3"     | 42         | 703034 | 0.65       |
|  | M90   | 3"     | 3"     | M115       | 4"     | 4"     | 42         | 703035 | 1.00       |
| <br>BGJ-II□□(M)/□□(F) | M20   | 1/2"   | 1/2"   | M25        | 3/4"   | 3/4"   | 24         | 703036 | 0.05       |
|  | M25   | 3/4"   | 3/4"   | M32        | 1"     | 1"     | 24         | 703037 | 0.10       |
|  | M32   | 1"     | 1"     | M40        | 1 1/4" | 1 1/4" | 34         | 703038 | 0.25       |
|  | M40   | 1 1/4" | 1 1/4" | M50        | 1 1/2" | 1 1/2" | 30         | 703039 | 0.45       |
|  | M50   | 1 1/2" | 1 1/2" | M63        | 2"     | 2"     | 33         | 703040 | 0.60       |
|  | M63   | 2"     | 2"     | M75        | 2 1/2" | 2 1/2" | 33         | 703041 | 0.75       |
|  | M75   | 2 1/2" | 2 1/2" | M90        | 3"     | 3"     | 33         | 703042 | 0.90       |
|  | M90   | 3"     | 3"     | M115       | 4"     | 4"     | 33         | 703043 | 1.20       |
| <br>BGJ-II□□(M)/□□(M) | M20   | 1/2"   | 1/2"   | M25        | 3/4"   | 3/4"   | 36         | 703044 | 0.10       |
|  | M25   | 3/4"   | 3/4"   | M32        | 1"     | 1"     | 36         | 703045 | 0.15       |
|  | M32   | 1"     | 1"     | M40        | 1 1/4" | 1 1/4" | 42         | 703046 | 0.25       |
|  | M40   | 1 1/4" | 1 1/4" | M50        | 1 1/2" | 1 1/2" | 42         | 703047 | 0.25       |
|  | M50   | 1 1/2" | 1 1/2" | M63        | 2"     | 2"     | 42         | 703048 | 0.35       |
|  | M63   | 2"     | 2"     | M75        | 2 1/2" | 2 1/2" | 44         | 703049 | 0.50       |
|  | M75   | 2 1/2" | 2 1/2" | M90        | 3"     | 3"     | 44         | 703050 | 0.65       |
|  | M90   | 3"     | 3"     | M115       | 4"     | 4"     | 44         | 703051 | 1.00       |

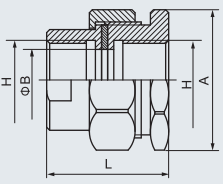
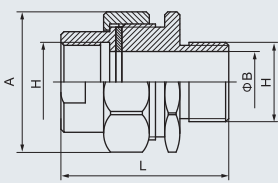
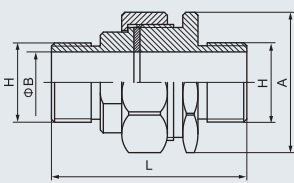
## 附註：

1. 常規供貨為碳素鋼材質，如需要不鏽鋼，黃銅鍍鎳材質，訂貨時請註明。以上重量是碳素鋼材質。
2. 公制螺紋產品標準螺距為1.5mm，其它螺距可以定制，訂貨時請註明。

# 安裝用相關防爆附件

## BGJ系列防爆連接頭

選配表

| 型號   | 螺紋"H" |        |        | 尺寸(mm) |     |    | 訂貨代號   | 重量(kg) |
|--|-------|--------|--------|--------|-----|----|--------|--------|
|  | 公制    | NPT    | G      | A      | B   | L  |        |        |
| <br>BGJ- III□□(F)/□□(F)   | M20   | 1/2"   | 1/2"   | 38     | 15  | 40 | 703052 | 0.15   |
|  | M25   | 3/4"   | 3/4"   | 42     | 20  | 40 | 703053 | 0.25   |
|  | M32   | 1"     | 1"     | 47     | 25  | 46 | 703054 | 0.35   |
|  | M40   | 1 1/4" | 1 1/4" | 65     | 32  | 46 | 703055 | 0.50   |
|  | M50   | 1 1/2" | 1 1/2" | 73     | 38  | 46 | 703056 | 0.50   |
|  | M63   | 2"     | 2"     | 85     | 50  | 52 | 703057 | 0.85   |
|  | M75   | 2 1/2" | 2 1/2" | 108    | 65  | 52 | 703058 | 1.25   |
|  | M90   | 3"     | 3"     | 115    | 76  | 57 | 703059 | 1.70   |
|  | M115  | 4"     | 4"     | 145    | 100 | 57 | 703060 | 2.20   |
| <br>BGJ- III□□(M)/□□(F) | M20   | 1/2"   | 1/2"   | 38     | 15  | 55 | 703061 | 0.20   |
|  | M25   | 3/4"   | 3/4"   | 42     | 20  | 55 | 703062 | 0.30   |
|  | M32   | 1"     | 1"     | 47     | 25  | 64 | 703063 | 0.45   |
|  | M40   | 1 1/4" | 1 1/4" | 65     | 32  | 64 | 703064 | 0.60   |
|  | M50   | 1 1/2" | 1 1/2" | 73     | 38  | 64 | 703065 | 0.65   |
|  | M63   | 2"     | 2"     | 85     | 50  | 73 | 703066 | 1.05   |
|  | M75   | 2 1/2" | 2 1/2" | 110    | 102 | 73 | 703067 | 1.45   |
|  | M90   | 3"     | 3"     | 115    | 110 | 81 | 703068 | 1.55   |
|  | M115  | 4"     | 4"     | 145    | 140 | 81 | 703069 | 2.00   |
| <br>BGJ- III□□(M)/□□(M) | M20   | 1/2"   | 1/2"   | 38     | 15  | 64 | 703070 | 0.20   |
|  | M25   | 3/4"   | 3/4"   | 42     | 20  | 64 | 703071 | 0.30   |
|  | M32   | 1"     | 1"     | 47     | 25  | 74 | 703072 | 0.45   |
|  | M40   | 1 1/4" | 1 1/4" | 65     | 32  | 74 | 703073 | 0.70   |
|  | M50   | 1 1/2" | 1 1/2" | 73     | 38  | 74 | 703074 | 0.75   |
|  | M63   | 2"     | 2"     | 85     | 50  | 84 | 703075 | 1.20   |
|  | M75   | 2 1/2" | 2 1/2" | 110    | 102 | 84 | 703076 | 1.60   |
|  | M90   | 3"     | 3"     | 115    | 110 | 94 | 703077 | 2.05   |
|  | M115  | 4"     | 4"     | 145    | 140 | 94 | 703078 | 2.55   |

## 附註：

1. 常規供貨為碳素鋼材質，如需要不鏽鋼，黃銅鍍鎳材質，訂貨時請註明。以上重量是碳素鋼材質。
2. 公制螺紋產品標準螺距為1.5mm，其它螺距可以定制，訂貨時請註明。

